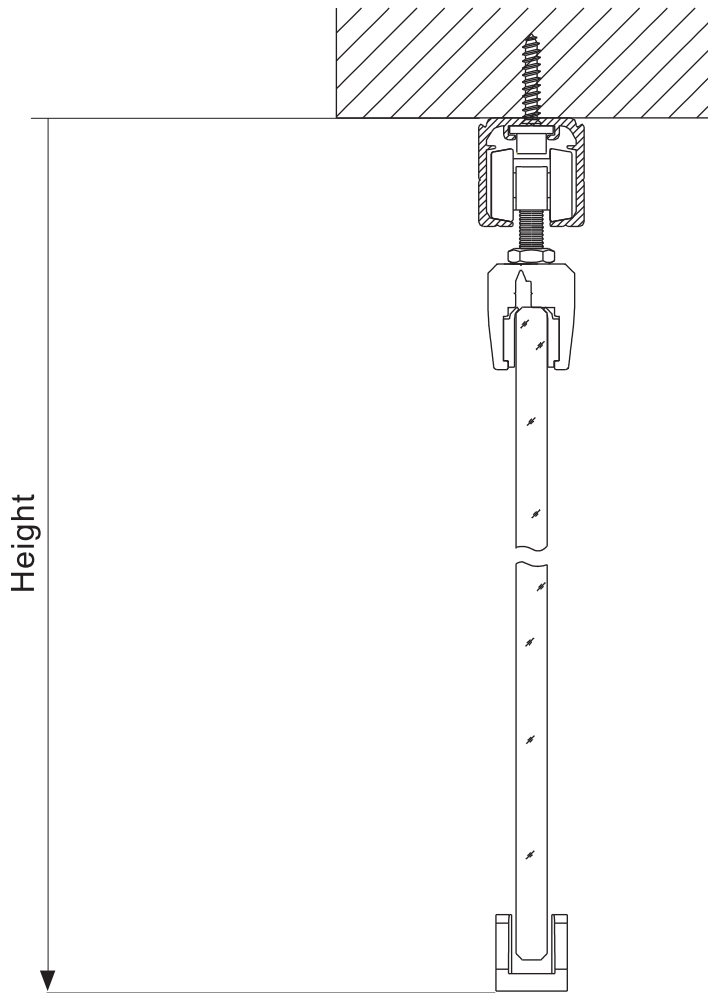
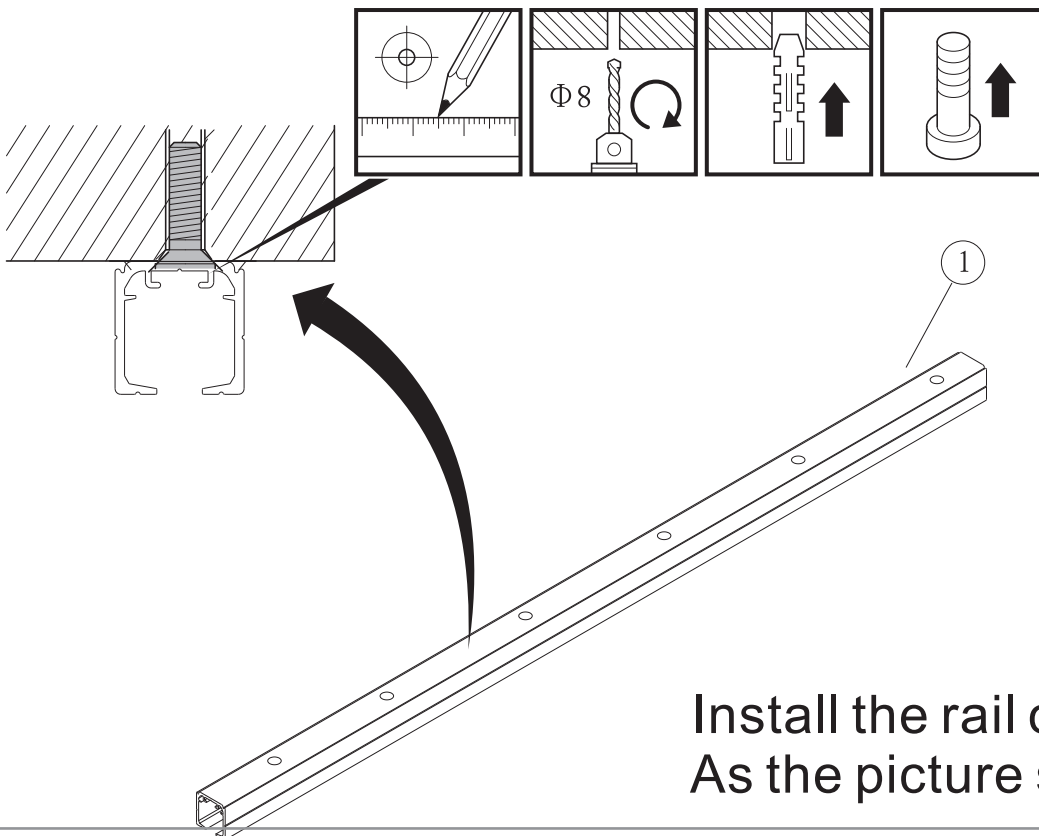


1

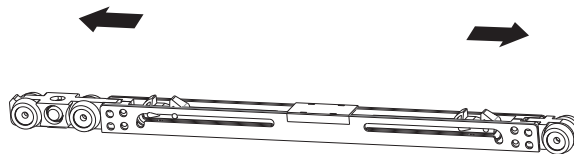
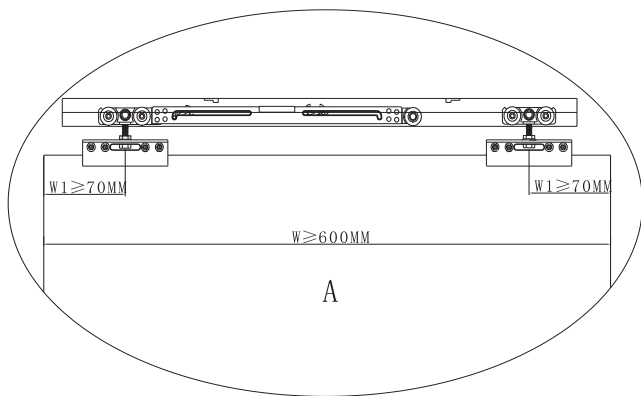


2

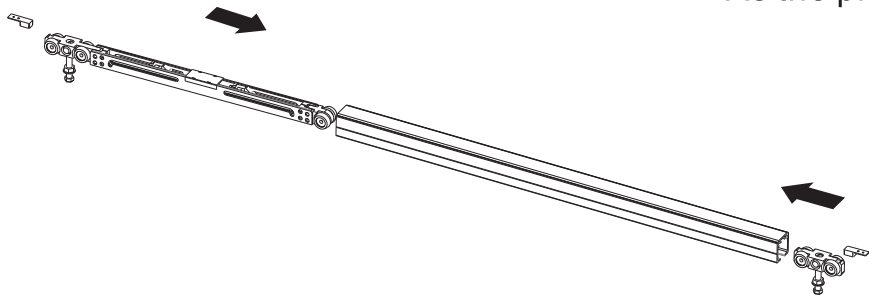


Install the rail on the wall.  
As the picture show.

3



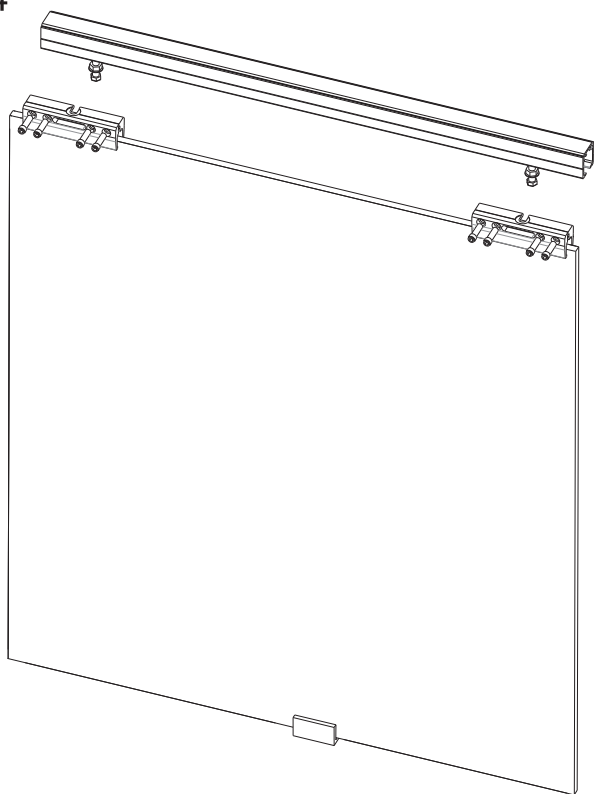
Please do the damper in right position.  
As the picture show.



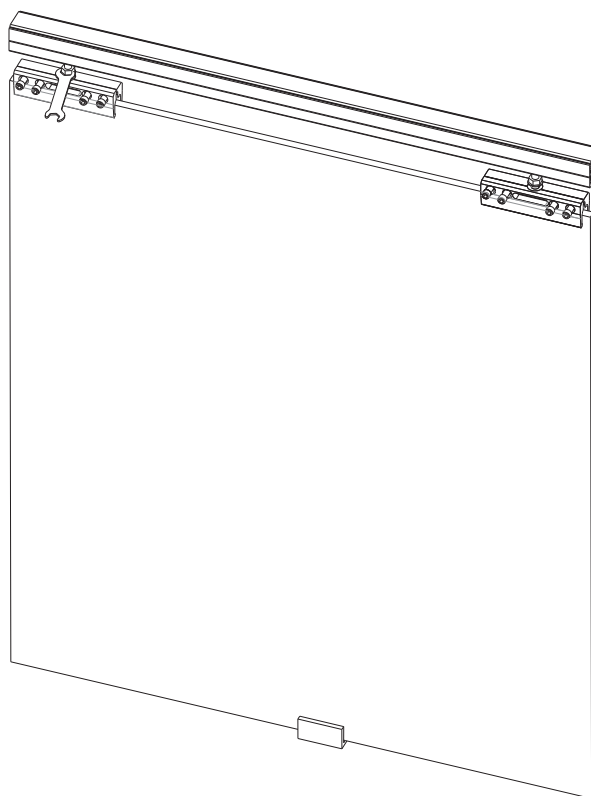
#### Installation:

1. Do the damper in right position.
2. Put the roller into rail
3. Put the trigger into rail in correct direction.  
As the picture show (A)

4



Installation:  
Use the screw to clamp the glass well



Adjust the door height, then fix nut tightly.